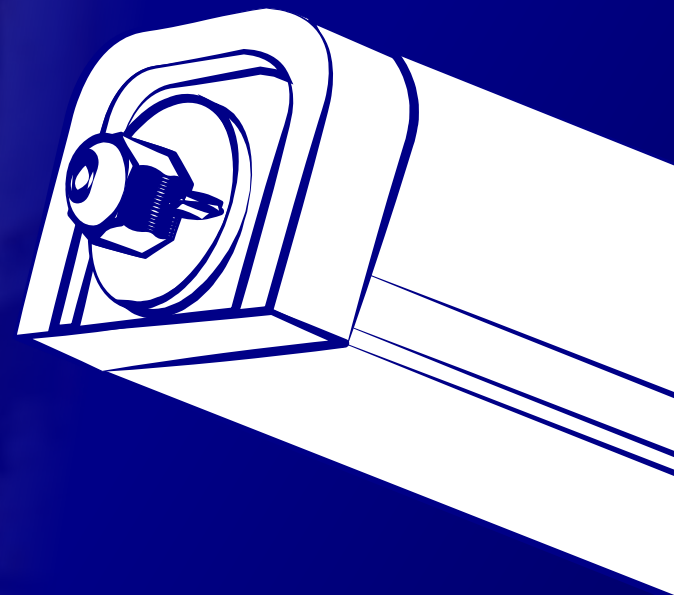


# ***Kanlux***



Hermetic  
LED luminary  
**Kanlux TP STRONG**

**Kanlux**

**Kanlux TP STRONG  
means high resistance  
to weather conditions.**

**IP65 rating means effective  
protection of the luminary  
against water and dust,  
and IK08 confirms  
protection against  
mechanical damage.**



# Kanlux

## Kanlux TP STRONG LED

**HIGH**  
**GH**  
efficacy

**SUPER**  
**HIGH**  
lumen  
up to 12000lm

**LED**  
technology

**5**  
WARRANTY  
5 years



**Kanlux**



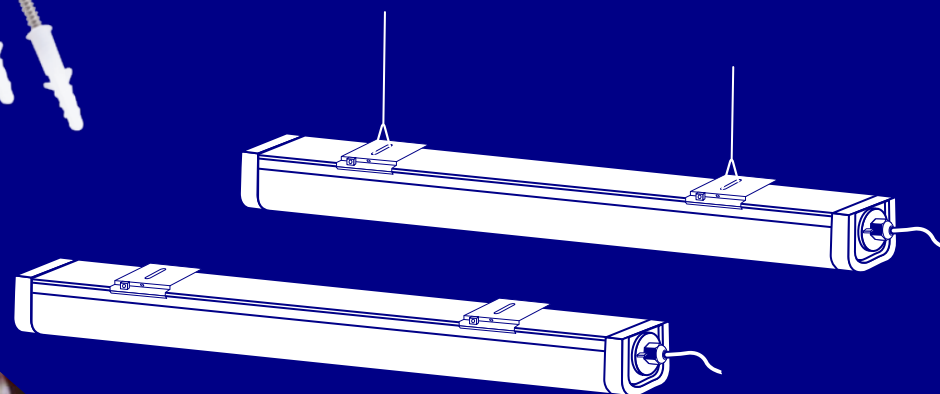
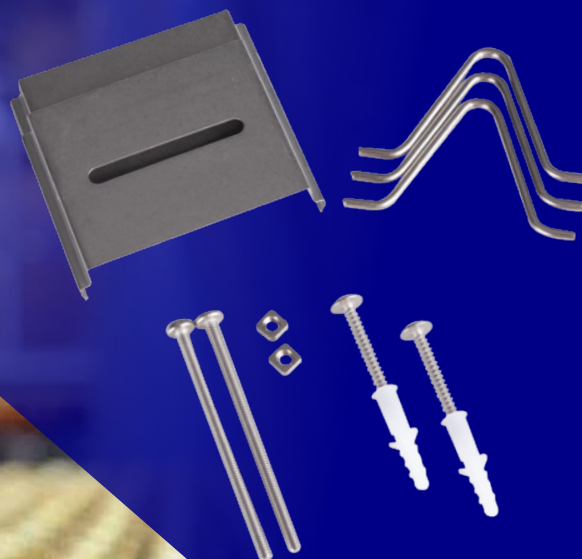
Easy access  
and quick  
installation



# Kanlux



**Quick installation  
with adjustable  
brackets. Possibility  
of surface or suspended  
mounting.**



# Kanlux

## Kanlux TP STRONG LED

### TP STRONG LED 48W-NW

220-240V~  
50Hz



### TP STRONG LED 75W-NW

220-240V~  
50Hz



### TP STRONG LED 90W-NW

220-240V~  
50Hz




**Double-sided power supply - „through” wiring**



# Kanlux

 **SUPER HIGH**  
lumen  
up to 12000lm

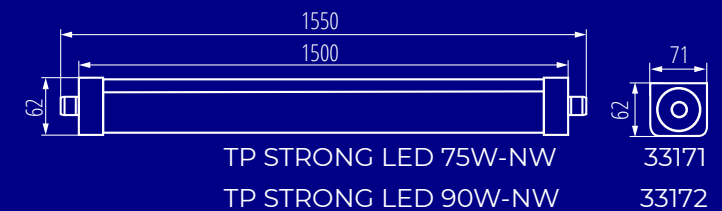
 **HIGH**  
~135 lm/W

 **LED**  
techno  
logy

 **5+**  
WARRANTY  
5 years

## Technical parameters:

- Resistance to external conditions IP65,
- Mechanical resistance IK08,
- Available length / power versions:  
1200mm 48W / 6500lm 1500mm 75W /  
10000lm 1500mm 90W / 12000lm
- Temp. color: 4000K,
- Durability: 50000h,
- Working temperature: -20 + 40 ° C,
- Beam angle: X 125° / Y 110°.



\* 5-year warranty under the terms of the warranty statement available on the website

**Kanlux**



**A wide range of applications:  
parking lots, industrial spaces.**



**Kanlux**

## **Kanlux TP STRONG LED**



**well packed**

[kanlux.com](http://kanlux.com)